



REVOLUTION™ PARTY CANOPY

Instruction Manual

30'x30' • 30'x45' • 30'x60'
with 7' or 8' Side Poles



TECHNICAL INSTRUCTION MANUAL: REVOLUTION™ PARTY CANOPY

STOP

Prior to installing any tent, always make sure you check for overhead and underground obstructions!

For safe assembly, we recommend:

- Steel Toe Safety Shoes
- Hard Hats/Helmets
- Safety Gloves
- Utility Aprons
- Step Ladders
- Drop Cloths
- Cleaning Supplies
- Tape Measures
- Sledge Hammer

ALWAYS READ THE TECHNICAL INSTRUCTION MANUAL COMPLETELY BEFORE BEGINNING. IF YOU HAVE ANY QUESTIONS, PLEASE CONTACT YOUR SALES REPRESENTATIVE OR THE MANUFACTURER BEFORE YOU BEGIN.

CAUTION

Whether you are planning to do it yourself or hire a professional tent installation company, always know what's underground. Call 811 prior to installing your tent and make sure your underground utility lines are marked. It's FREE and helps prevent accidents and/or injury.



**Know what's below.
Call before you dig.**

CAUTION

Evaluate the overall location. Inspect for overhead and underground obstructions and utilities. Determine exposure to wind. Test for soil anchoring stability and ground conditions. Determine method and type of staking that will be suitable for the tent and the tent site. Proper staking is required on all tents. Soil conditions can vary from site to site and within a set up site. Additional stakes may be required in soft soil conditions or whenever stakes pull up from the ground. Revolution Party Canopies are engineered and wind-rated, refer to the blueprint for load requirements.



TECHNICAL INSTRUCTION MANUAL: REVOLUTION™ PARTY CANOPY

Assembly (30'X30' Shown)

1. Inspect the site and make sure the area is level, free of underground utilities and any overhead obstructions. Unload poles, tent bundles, stakes, drop clothes, and any other installation equipment.



2. With the site determined and evaluated, measure and mark the correct stake pattern for the tent. Mark the placement of the side poles, center poles and stake line. See Appendix A for information on Squaring a Tent.



3. Use the diagrams and stake templates from the back pages of this manual as a guideline. Refer to blueprint for load requirements prior to staking. Stake ratchets to the ground, one at each side pole position and two at the corners. If ground conditions are soft, you may want to use stakebars. Place the stakebars in the proper position, place one end of the ratchet under the center stakebar hole and drive the stakes through the stakebar. See Appendix B for more information on Staking.



NOTE: Make sure the handle of the ratchet is facing up on all ratchets.

4. Spread the drop cloths, then lay out the side poles and center poles near where they are to be installed.



TECHNICAL INSTRUCTION MANUAL: REVOLUTION™ PARTY CANOPY

5. Unroll and layout the tent top on the drop cloth. Stretch and square the fabric to remove slack.



6. Loosely attach web and ratchets to the corner pole fittings, leaving enough slack to insert and raise the corner poles. Then, do the same for the side pole fittings - again leaving enough slack to insert and raise the side poles. NOTE: You may need to reach under the canopy and re-insert the wire fitting at the side pole locations.



7. Prepare to raise the tent. Starting at one corner, from under the top, fit a corner pole pin through the wire fitting. NOTE: the corner poles fit only one way. Each pin on the top of the corner pole must be on the outside of the center bar of the wire fitting.



*On the Revolution, there are NO grommets on the tent top.

8. Raise the corner pole to a slight angle, with the bottom of the pole set slightly inside the tent perimeter. Depending on the ground conditions, it may be necessary to place the poles on a small, wooden pad, or coaster. This will minimize or prevent the poles from sinking into the ground when tension is applied. Gently tighten the web and ratchet on the corner pole to hold it in place.



TECHNICAL INSTRUCTION MANUAL: REVOLUTION™ PARTY CANOPY

9. Next, work your way around the tent raising the remaining corner poles as you go. Then go back and raise the side poles. Leave all poles slightly loose so that you can raise the center poles next.

Again, the corner poles and side poles fit only one way. Each pin on the top of the side pole must be on the outside of the center bar of the wire fitting. There are NO grommets on the tent top.



10. Tie the jump ropes on all of the corner and side poles now.



11. With all of the side poles set, walk under the tent and insert the center pole pin into the fitting at the top (peak) of the canopy. With this pin in place, lift and push the pin end skyward and the center pole base toward the center of the tent to raise the center pole and canopy.

NOTE: Make sure the top pin on the center pole does not catch onto the vinyl near the peak, as this could damage the tent top.



12. If your tent has multiple center poles, the first pole base should be angled at 45° to center. Raise the remaining center poles. When you have reached the 45° angles, you can put a stake at the base of the pole so that it does not slip. Once all center poles are in place, return to the first center pole and adjust to almost vertical. Adjust the other poles to almost vertical until all center poles are raised and adjusted.

NOTE: Tie the center pole jump ropes before standing the pole upright.



TECHNICAL INSTRUCTION MANUAL: REVOLUTION™ PARTY CANOPY

13. With all center poles almost vertical, bring them into line. Have someone stand at one end of the tent. Align each center pole as directed by that person. Then align each center pole from the side of the tent.



14. After all center poles are aligned, go around and straighten all of the side poles.

NOTE: If the center or side poles sink into soft ground, try using small wooden "coasters" under each pole to help prevent it from sinking.



15. Tension the ratchets on the canopy top in the following sequence:

- Corner poles
- Side poles

HELPFUL HINTS: Position the base of the pole in its final position (in line and where you want it to be when finished). Pull the release bar on the ratchet and pull the excess web through. Tighten the web and ratchet until the pole is in a near vertical position and the web is taut.



16. Continue to tighten all ratchets around the tent. After all webs are tensioned, check to make sure the center poles are still straight. Adjust the tensioning if the center poles need to be altered slightly.



TECHNICAL INSTRUCTION MANUAL: REVOLUTION™ PARTY CANOPY

17. If the top of the center poles appear to be leaning toward one end, try these helpful hints:

- Tighten web and ratchets and straighten side poles, at the end opposite of the lean, to pull the top of the center pole back to vertical.
- Straighten and adjust the web and ratchet at the other end. Be careful not to pull the center pole out of alignment.
- When center poles appear vertical, adjust opposing end side poles simultaneously to avoid drawing the entire tent toward one side. After ends are adjusted and webs are secure, repeat down length of the tent. Again, avoid pulling or drawing entire tent to one side or the other.

**HELPFUL
HINT**

18. Once complete, your tent is now ready for use.



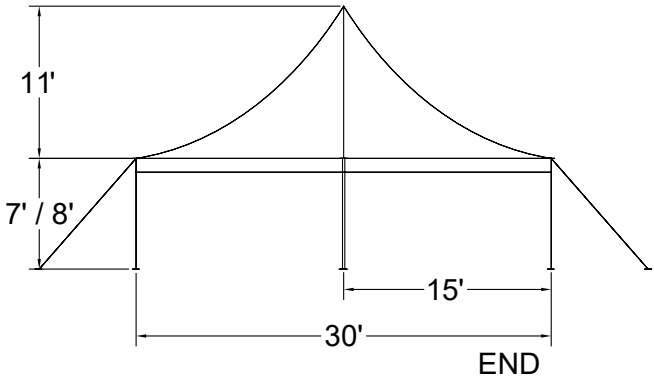
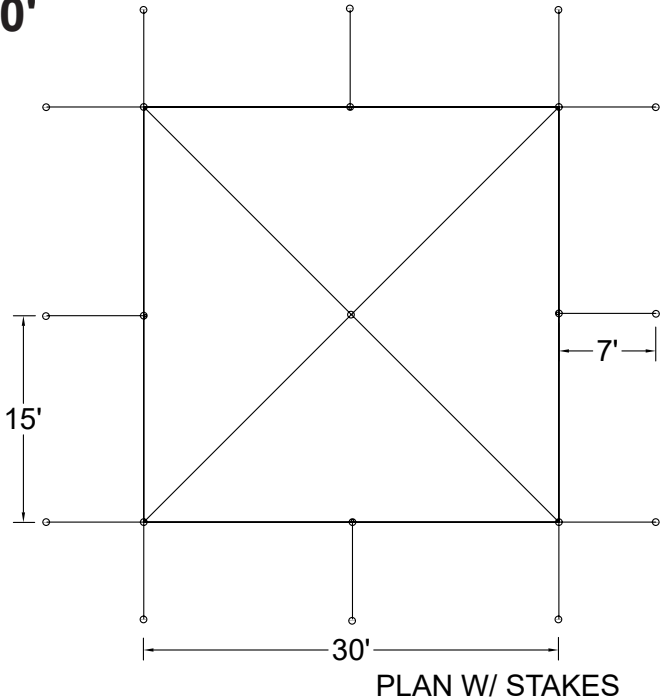
NOTE: Severe weather can damage tents. If severe weather is expected, take down the tent and store in a safe area. Always make sure you have an evacuation plan for events.

Special thanks to I'm Bouncing Party Rentals, Southold, NY for use of your tent.

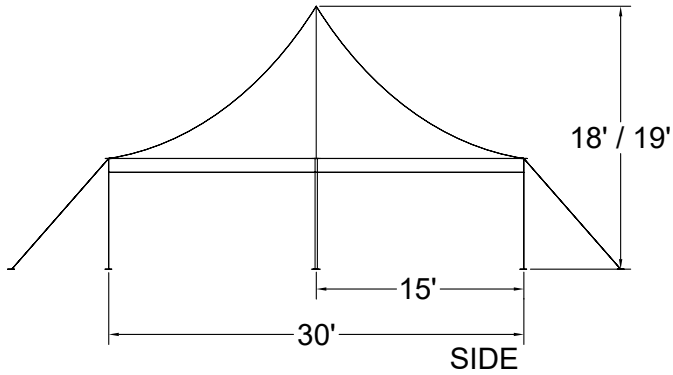


TECHNICAL INSTRUCTION MANUAL: REVOLUTION™ PARTY CANOPY

30' x 30'

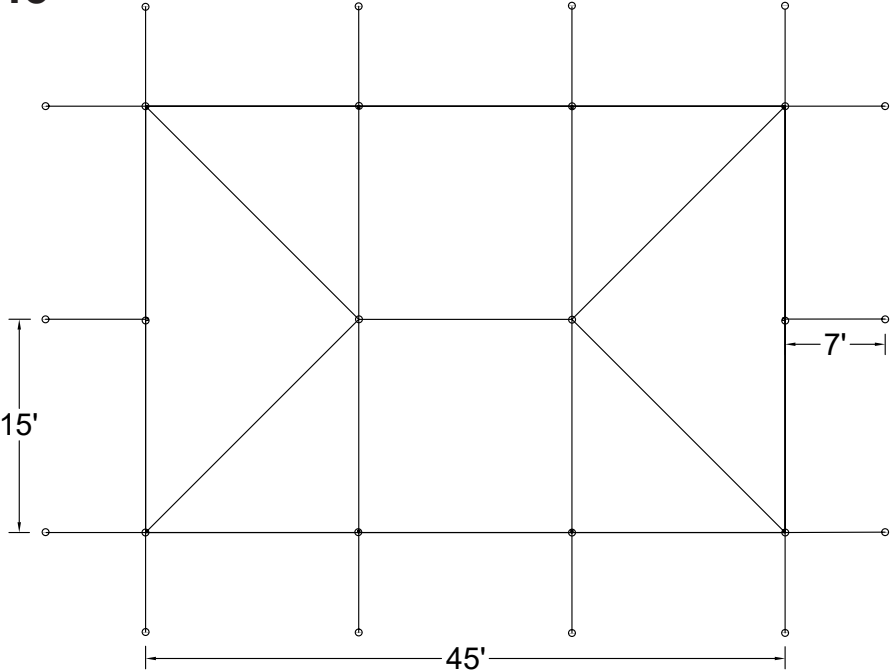


NOTE: Additional stakes and/or stakebars will be necessary in soft soil conditions or whenever stakes pull up from the ground.

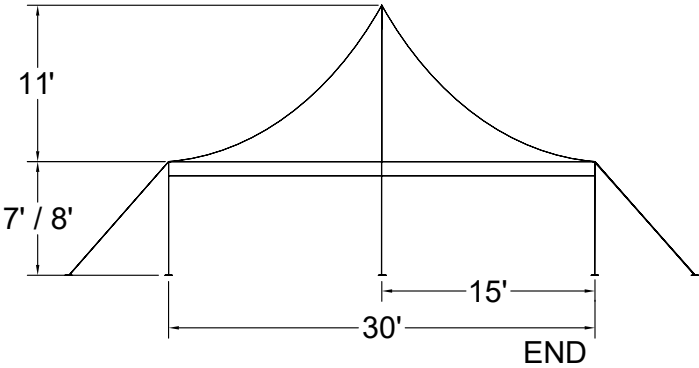


TECHNICAL INSTRUCTION MANUAL: REVOLUTION™ PARTY CANOPY

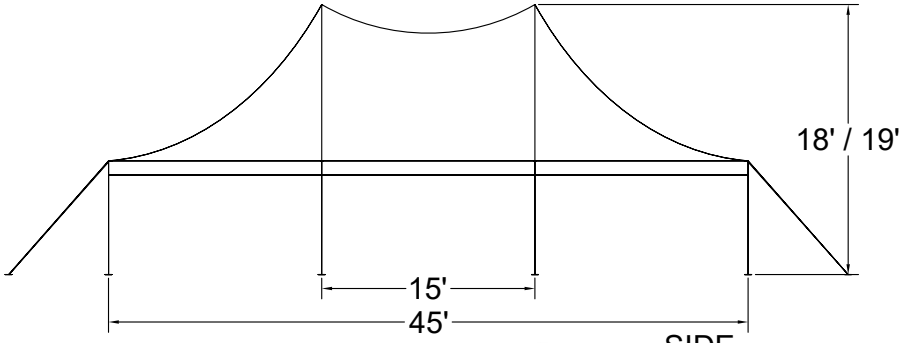
30' x 45'



PLAN W/ STAKES



END



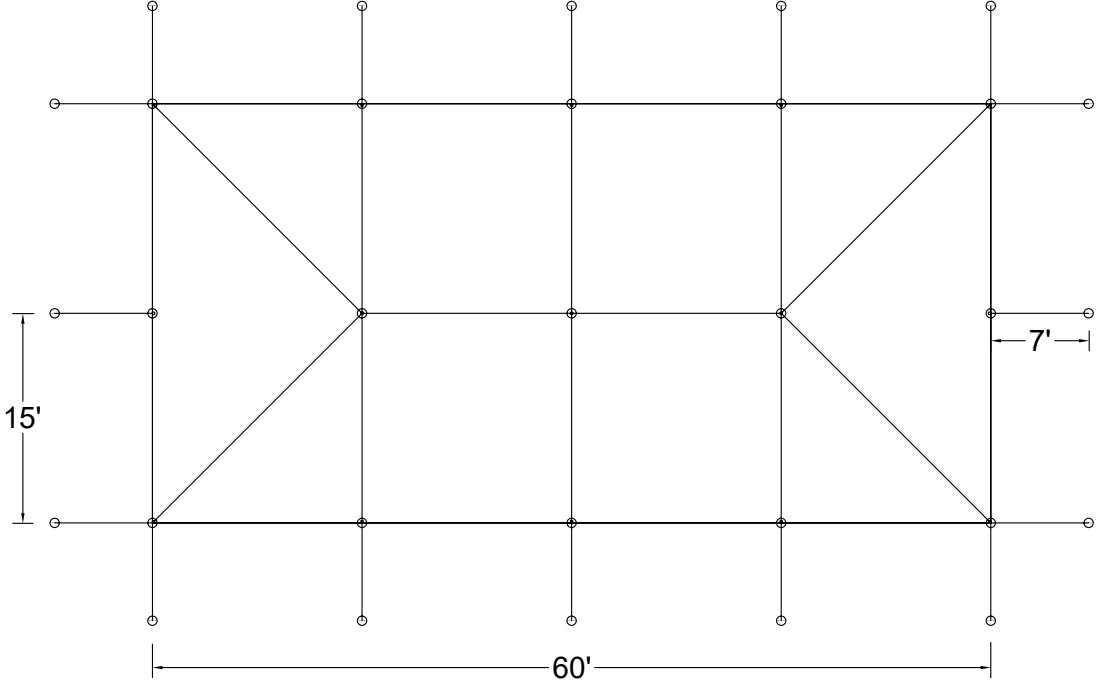
SIDE

NOTE: Additional stakes and/or stakebars will be necessary in soft soil conditions or whenever stakes pull up from the ground.

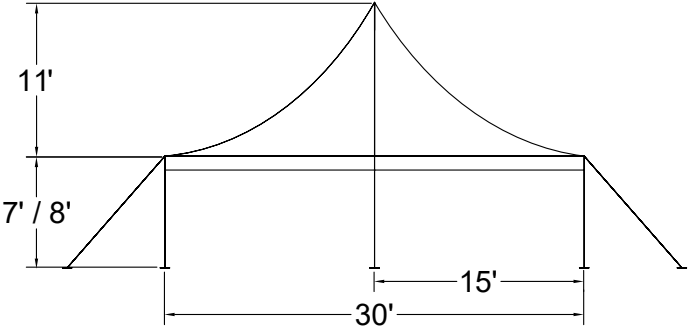


TECHNICAL INSTRUCTION MANUAL: REVOLUTION™ PARTY CANOPY

30' x 60'

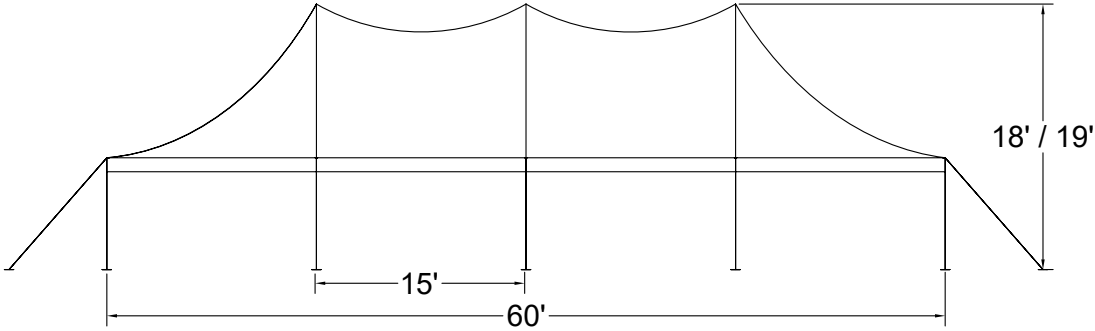


PLAN W/ STAKES



END

NOTE: Additional stakes and/or stakebars will be necessary in soft soil conditions or whenever stakes pull up from the ground.



SIDE



Appendix A - Squaring a Tent

TOOLS REQUIRED:

(2) Tape Measures
Marking Instrument (Spray Chalk, Small Spike, Nail)

Every tent installation begins with laying out and squaring the tent. When done properly, this can help speed the installation and your tent will look (and perform) beautifully. Follow these simple instructions and use the chart on the following page for a perfect tent....every time!

step 1

Determine the approximate area where your tent will be installed. Locate the position for one corner pole (or leg) and mark this Point "A". Place the end of *Tape Measure #1* at this point.

step 2

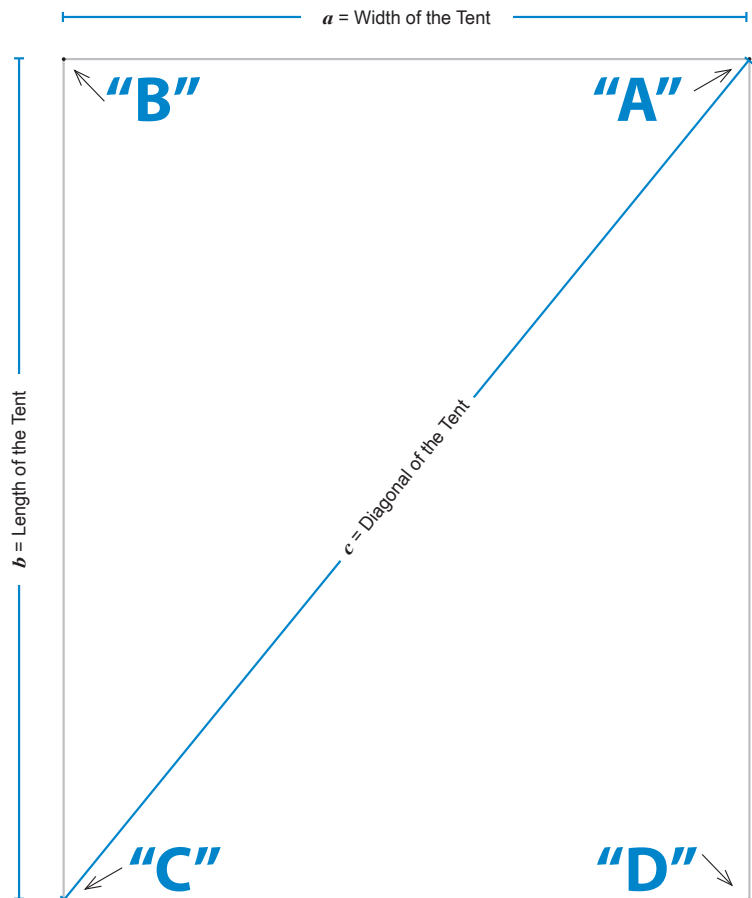
From Point "A", measure out the width of the tent and mark it Point "B". Place the end of *Tape Measure #2* at this point.

step 3

Next, using the chart on the following page, determine the diagonal measurement, based on the width and length of the tent. Run *Tape Measure #1* from Point "A" and *Tape Measure #2* from Point "B" toward Point "C" until the two tapes intersect at the diagonal measurement.

step 4

Double check the measurement between Points "C" and "D" to make sure the width is correct.



Appendix A - Squaring a Tent

$$a^2 + b^2 = c^2$$

PYTHAGOREAN THEOREM

The sum of the squares of the lengths of the sides of a right triangle is equal to the square of the length of the hypotenuse.

diagonal measurement chart

WIDTH OF TENT

	20'	30'	40'	50'	60'	70'	80'	90'	100'	120'
20'	28'3"	36'1"	44'9"	53'10"	63'3"	72'10"	82'6"	92'2"	102'0"	121'7"
30'	36'1"	42'5"	50'0"	58'4"	67'1"	76'2"	85'5"	94'10"	104'5"	123'8"
40'	44'9"	50'0"	56'7"	64'0"	72'1"	80'7"	89'5"	98'6"	107'8"	126'6"
45'	49'3"	54'1"	60'3"	67'3"	75'0"	83'3"	91'9"	100'7"	109'8"	128'1"
50'	53'10"	58'4"	64'0"	70'9"	78'1"	86'0"	94'4"	102'11"	111'10"	130'0"
60'	63'3"	67'1"	72'1"	78'1"	84'10"	92'2"	100'0"	108'2"	116'7"	134'1"
70'	72'10"	76'2"	80'7"	86'0"	92'2"	98'6"	106'4"	114'0"	122'1"	138'10"
75'	77'7"	80'9"	85'0"	90'2"	96'0"	102'7"	109'8"	117'2"	125'0"	141'6"
80'	82'6"	85'5"	89'5"	94'4"	100'0"	106'4"	113'2"	120'5"	128'1"	144'3"
90'	92'2"	94'10"	98'6"	102'11"	108'2"	114'0"	120'5"	127'3"	134'6"	150'0"
100'	102'0"	104'5"	107'8"	111'10"	116'7"	122'1"	128'1"	134'6"	141'5"	156'3"
110'	111'10"	114'0"	117'1"	120'10"	125'4"	130'5"	136'0"	142'2"	148'8"	162'9"
120'	121'8"	123'8"	126'6"	130'0"	134'2"	138'11"	144'3"	150'0"	156'2"	169'8"
130'	131'6"	133'5"	136'0"	139'3"	143'2"	147'8"	152'8"	158'1"	164'0"	176'11"
140'	141'5"	143'2"	145'7"	148'8"	152'4"	156'6"	161'3"	166'5"	172'0"	184'5"
150'	151'4"	153'0"	155'3"	158'1"	161'7"	165'6"	170'0"	174'11"	180'3"	192'0"
160'	161'3"	162'9"	164'11"	167'7"	170'11"	174'8"	178'11"	183'6"	188'8"	200'0"
170'	171'2"	172'8"	174'8"	177'2"	180'3"	183'10"	187'11"	192'4"	197'3"	208'0"
180'	181'1"	182'6"	184'5"	186'10"	189'9"	193'2"	197'0"	202'3"	205'11"	216'4"
190'	191'1"	192'4"	194'2"	196'6"	199'3"	202'6"	206'2"	210'3"	214'9"	224'9"
200'	201'0"	202'3"	204'0"	206'2"	208'10"	211'11"	215'5"	219'4"	223'7"	233'3"
210'	211'0"	212'2"	213'9"	215'10"	218'5"	221'4"	224'8"	228'6"	232'7"	241'10"
220'	210'0"	222'0"	223'7"	225'7"	228'0"	230'10"	234'1"	237'8"	241'8"	250'6"



Appendix B - Staking a Tent

Stretch and square the tent using the following sequence:

With large tents, we recommend that you pre-measure the stake lines.

Stretch the end (width) of the tent taut and place a small stake in each of the corner fittings to hold it in place.

At the first lace line area, take the side pole fittings and pull the tent away from the corner to stretch the side of the tent. Continue stretching until you reach the end.

Drive a small stake in the last two corner fittings of the tent to hold it in place.

Make sure the tent is square by measuring the diagonal, corner to corner, of your tent. Refer to the Squaring Chart in Appendix A.

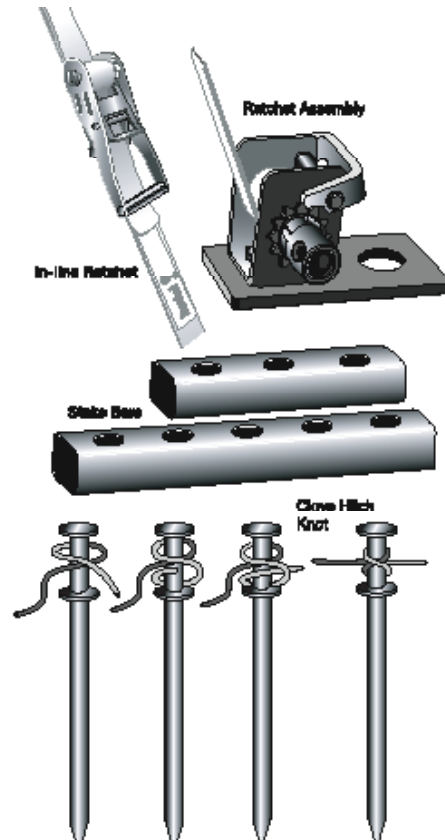
Attach ropes or web straps to the tent fittings according to the tent's schematic. Install optional storm lines by attaching to the center pole flange.

NOTE: Storm lines are not provided and must be purchased separately.

Inspect the tent top, ropes and fittings for any signs of wear, fatigue or breakage. Replace or repair any questionable areas.

Run a string line around the perimeter of the tent connecting the eight corner stakes.

Pull all the remaining ropes out to the stake line according to the schematic. Stake accordingly.



Cover all stakes with safety caps.

Remove the stake line string.

Tie each rope to a corresponding stake using a clove hitch knot. See illustration above.

OR - feed web belt through ratchet, pull out excess web and lock into place.



Appendix B - Staking a Tent

NOTE:

Stakes should be driven straight into the ground.

The larger the stake diameter, the greater the holding power.

The deeper the stake, the greater the holding power.

The softer the soil, the lesser holding power and more stakes are required.

Additional holding power may be achieved by cross-staking, gang-staking, double-staking, or by using additional stake plates.

IMPORTANT INFORMATION ABOUT STAKING:

The number of stakes suggested in each Technical Manual or installation instructions are simply a general guideline. It is the tent installer's responsibility, not the manufacturer, to determine the appropriate number of stakes to meet necessary wind loads on the tent installation site.

Regardless of the number of stakes we show in the Technical Manual, we make no representation or warranty as to whether this number of stakes will meet the local tent code or soil conditions present at each tent installation site.



Intentional Systems does not, nor can it make any suggestions, representation, or warranties about the adequate staking required at each specific installation site.

For additional information on safely installing tents and staking, please feel free to give us a call at 1-800-235-2607 or view IFAI's "Procedural Handbook for the Safe Installation and Maintenance of Tentage" and the IFAI Pocket Guide "Pullout Capacity of Tent Stakes", both available from the IFAI Tent Rental Division - visit <http://tentexperts.org/handbook>.

