



Vela

Instruction Manual

42'x42' • 32'x32'

Including 15', 20', 30' Mids & 7' and
8' Side Poles



InTENTional Systems
625 Conklin Rd
Binghamton, NY 13903
intentionaltents.com
event.tents@rdstents.com
1.800.235.2607

Table of Contents

Safety	1
Vela Assembly of 42'x72'	2-6
32'x32' Line Drawings.....	7
32'x47' Line Drawings.....	8
32'x62' Line Drawings.....	9
42'x42' Line Drawings.....	10
42'x62' Line Drawings.....	11
42'x72' Line Drawings.....	12
Appendix A Squaring a Tent.....	13-14
Appendix B Staking a Tent.....	15
Parts List	16-17



STOP

Prior to installing any tent, always make sure you check for overhead and underground obstructions!

For safe assembly, we recommend:

- Steel Toe Safety Shoes
- Hard Hats/Helmets
- Safety Gloves
- Utility Aprons
- Step Ladders
- Drop Cloths
- Cleaning Supplies
- Tape Measures
- Sledge Hammer

**ALWAYS READ THE TECHNICAL INSTRUCTION MANUAL COMPLETELY BEFORE BEGINNING.
IF YOU HAVE ANY QUESTIONS, PLEASE CONTACT YOUR SALES REPRESENTATIVE OR THE
MANUFACTURER BEFORE YOU BEGIN.**

CAUTION



**Know what's below.
Call before you dig.**



Whether you are planning to do it yourself or hire a professional tent installation company, always know what's underground. Call 811 prior to installing your tent and make sure your underground utility lines are marked. It's FREE and helps prevent accidents and/or injury. Evaluate the overall location. Inspect for overhead and underground obstructions and utilities. Determine exposure to wind.

Test for soil anchoring stability and ground conditions. Soil conditions can vary from site to site and within a setup site. Additional stakes may be required in soft soil conditions or whenever stakes pull up from the ground. Determine method and type of staking that will be suitable for the tent and the tent site. Proper staking is required on all tents.

For more information on safety and staking, call us at 1.800.235.2607 or visit the below links for the ATA Tent Rental Division Handbook or Staking Guide:

<https://tent.textiles.org/procedural-handbook/>

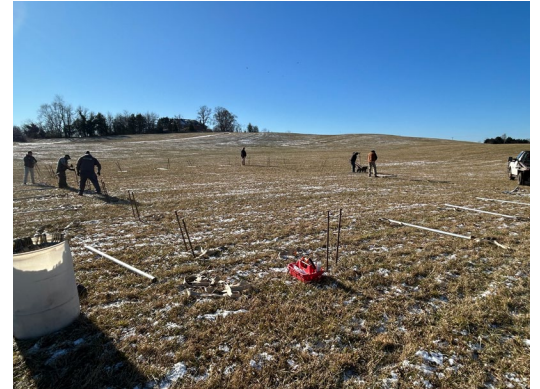
<https://tent.textiles.org/staking-guide/>



intentionaltents.com • event.tents@rdstents.com • 1.800.235.2607
inTENTional Systems 625 Conklin Rd Binghamton, NY 13903

Vela Assembly of 42' x 72'

1. Inspect the site and make sure the area is level, free of underground utilities and any overhead obstructions. Unload poles, tent bundles, stakes, drop cloths, and any other installation equipment.



2. With the site determined and evaluated, measure and mark the correct pole and stake pattern for the tent. Mark the placement of the side poles, center poles and stake line. See **Appendix A** for information on Squaring a Tent.



3. Use the diagrams and stake templates from the back pages of this manual as a guideline. Refer to blueprint for load requirements prior to staking. Stake ratchets to the ground, one at each side pole position and two at the corners. If ground conditions are soft, you may want to use stakebars. Place the stakebars in the proper position, place one end of the ratchet under the center stakebar hole and drive the stakes through the stakebar. See Appendix B for more information on staking.

NOTE: Make sure the handle of each ratchet is facing up.

4. Spread the drop cloths, then lay out the side poles and center poles near where they are to be installed. **See figure A**



Vela Assembly of 42' x 72'

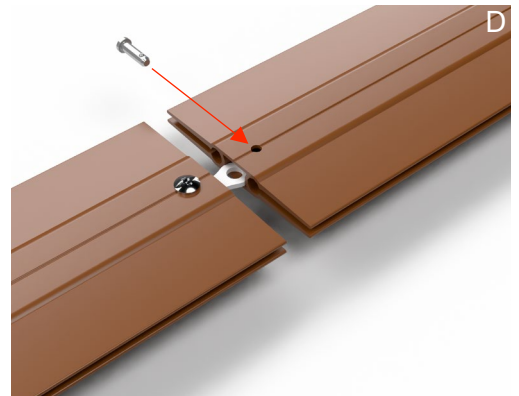
5. Unroll and layout the tent top on the drop cloth. Stretch and square the fabric to remove slack. **See figure B**



6. Gather the pipe and flange for the peak. At the peak, connect the hook and loop Velcro® (**figure C**). Screw on the flange to the end of the pipe, then insert the pipe through the grommets. Screw on the second flange. Repeat with remaining peak.



7. Insert a side pole at the peak. This will create an angle for an easier insertion of the Keder track. Next, connect the Keder winged bottom to the Keder winged top using the quick release pin, **see figure D**. Insert the Keder one at a time to the Keder winged top, **see figure E**. Have one person holding the wire fittings while the other pulls the Keder track towards the peak by using the cable loop. Repeat with remaining Keder.



Vela Assembly of 42' x 72'

8. Loosely attach web and ratchets to the corner pole fittings, leaving enough slack to insert and raise the corner poles. Then, do the same for the side pole fittings - again leaving enough slack to insert and raise the side poles.

Prepare to raise the tent.

9. Starting at one corner, from under the top, fit a corner pole pin through the wire fitting. NOTE: Each pin on the top of the corner/side poles must be on the outside of the center bar of the wire fitting. See figure F.

*There are NO grommets on the tent top.

10. Raise the corner pole to an angle, with the bottom of the pole set slightly inside the tent perimeter. Depending on the ground conditions, it may be necessary to place the poles on a small, wooden pad, or coaster. This will minimize or prevent the poles from sinking into the ground when tension is applied. Tighten the web and ratchet on the corner pole to hold it in place. Repeat on remaining corner poles.

11. After corner poles are raised, move to the side pole located by the Keder track. Insert side pole pin through both wire fittings, see figure F. Repeat with remaining side poles located near Keder. Raise the remaining side poles.

12. With all of the side poles set, but not fully tensioned, walk under the tent and insert the center pole pin into the fitting at the top (peak) of the canopy. With this pin in place, lift and push the pin end skyward and the center pole base toward the center of the tent to raise the center pole and canopy. See figure G.

NOTE: Make sure the top pin on the center pole does not catch onto the vinyl near the peak, as this could damage the tent top.

13. Tie the jump ropes on all of the corner and side poles.



Vela Assembly of 42' x 72'

14. If your tent has multiple center poles, the first pole base should be angled at 45° to center. Raise the remaining center poles. When you have reached the 45° angles, you can put a stake at the base of the pole so that it does not slip. Once all center poles are in place, return to the first center pole and adjust to vertical. Adjust the other poles to vertical until all center poles are raised and adjusted.

NOTE: Tie the center pole jump ropes before standing the pole upright.

15. After all center poles are aligned, start straightening and tension all the side poles assuring the bottom of the side poles are on the marks from squaring

NOTE: If the center or side poles sink into soft ground, try using small wooden blocks under each pole to prevent sinking.



Your tent is now ready for use!



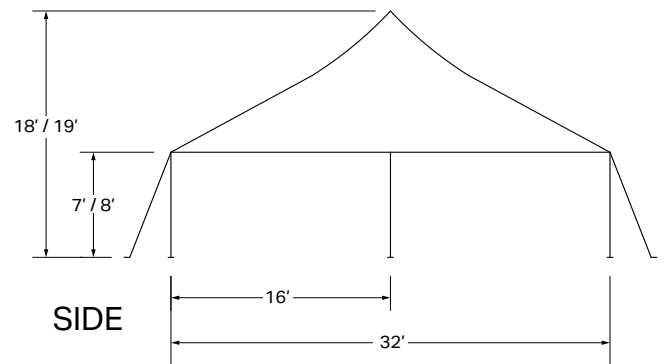
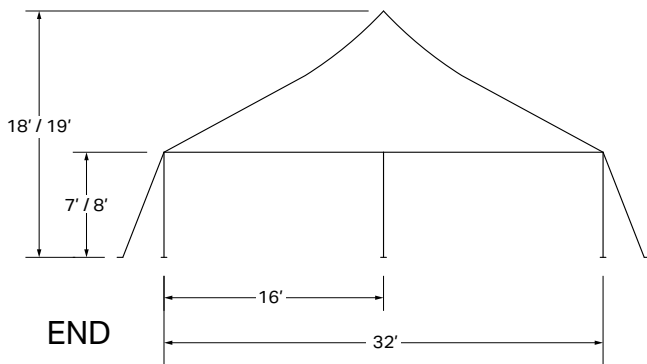
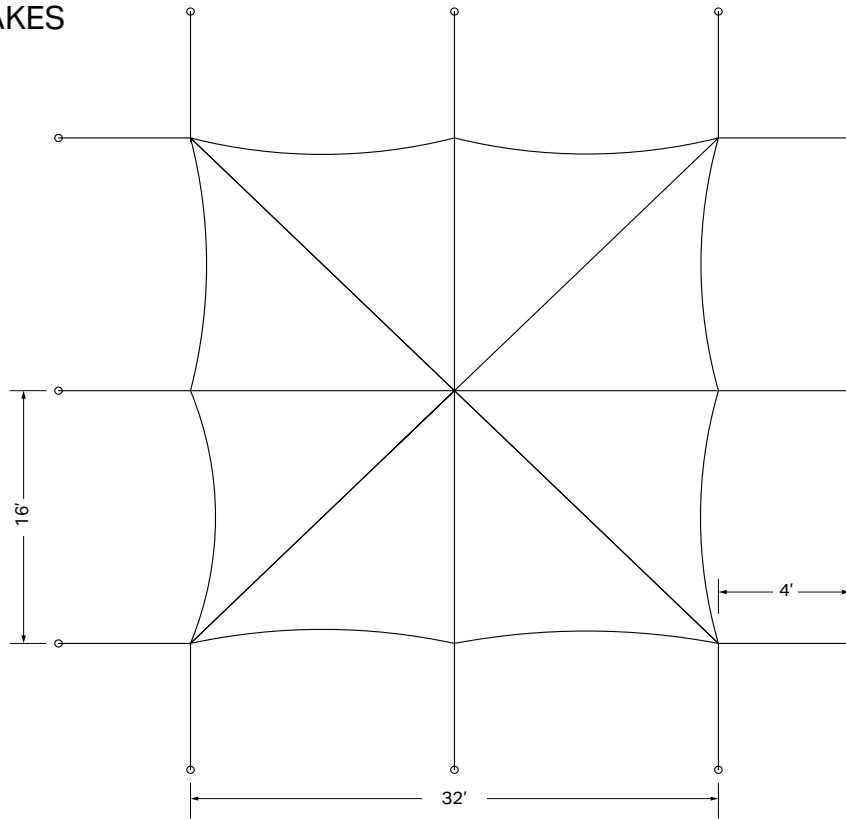
NOTE: Severe weather can damage tents. If severe weather is expected, take down the tent and store in a safe area. Always make sure you have an evacuation plan for events.



intentionaltents.com • event.tents@rdstents.com • 1.800.235.2607
inTENTional Systems 625 Conklin Rd Binghamton, NY 13903

32' x 32'

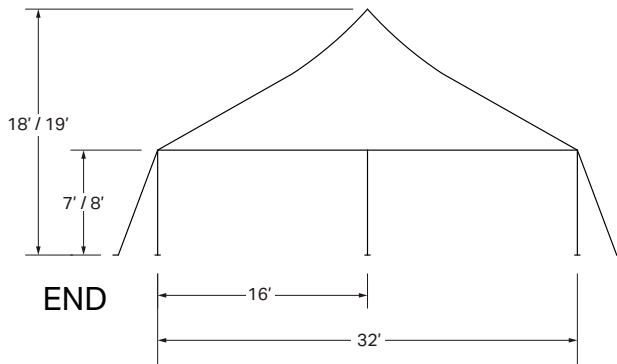
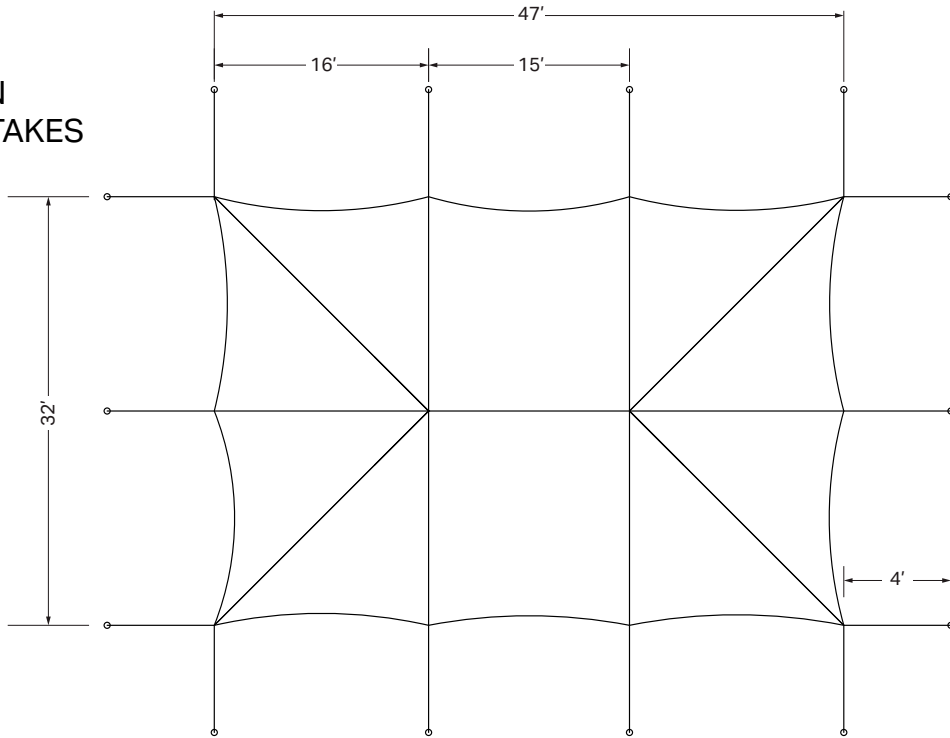
PLAN
w/ STAKES



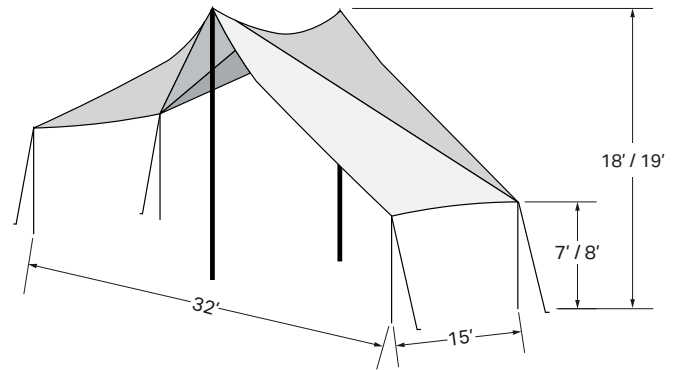
intentionaltents.com • event.tents@rdstents.com • 1.800.235.2607
inTENTional Systems 625 Conklin Rd Binghamton, NY 13903

32' x 47'

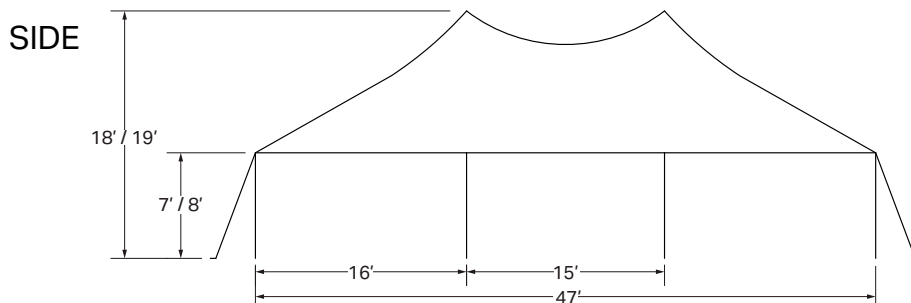
PLAN
w/ STAKES



END



15' MID



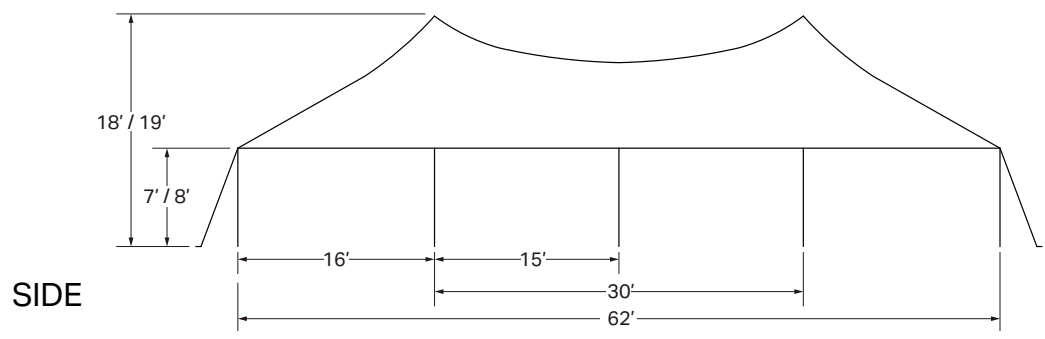
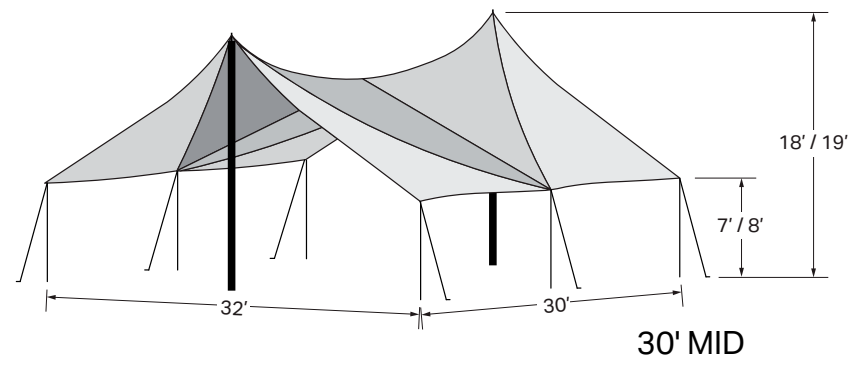
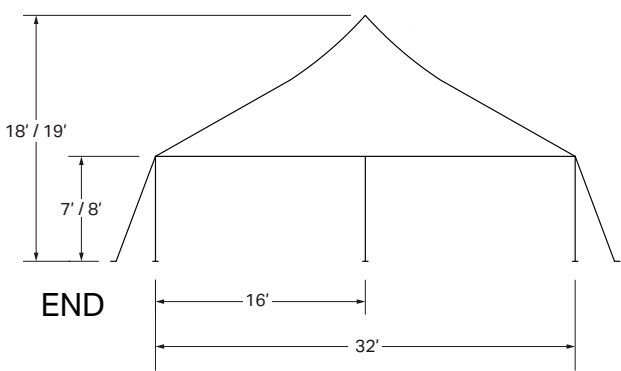
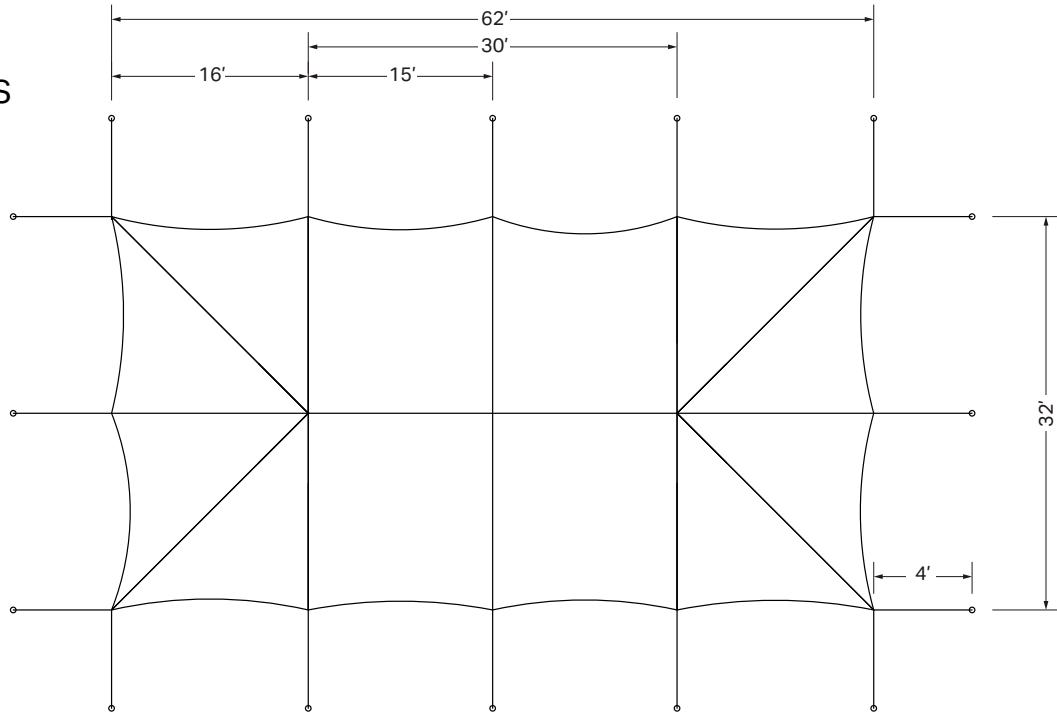
SIDE



intentionaltents.com • event.tents@rdstents.com • 1.800.235.2607
inTENTional Systems 625 Conklin Rd Binghamton, NY 13903

32' x 62'

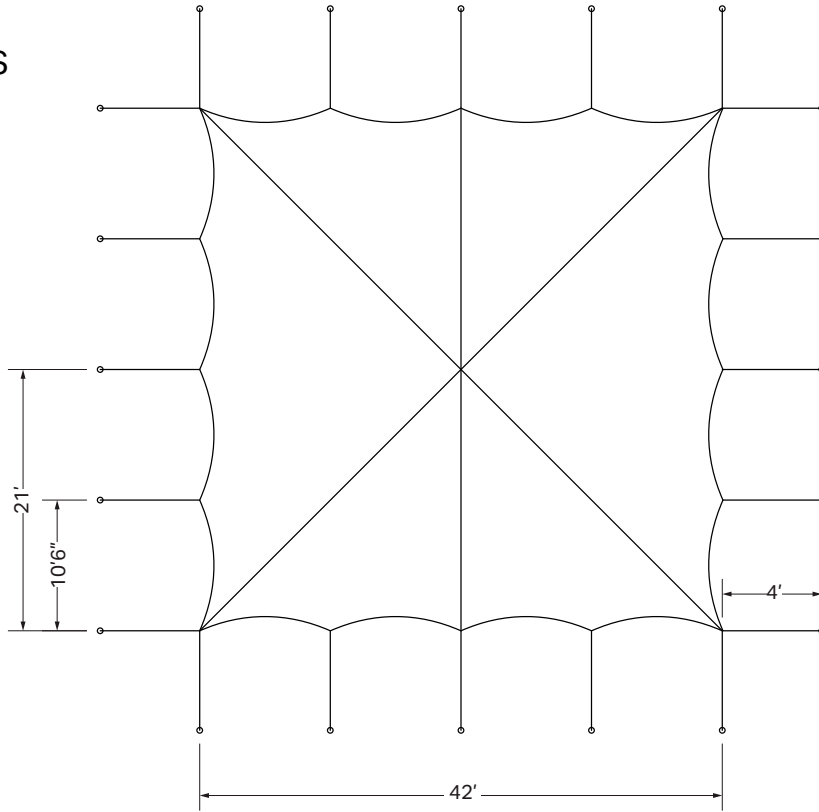
PLAN
w/ STAKES



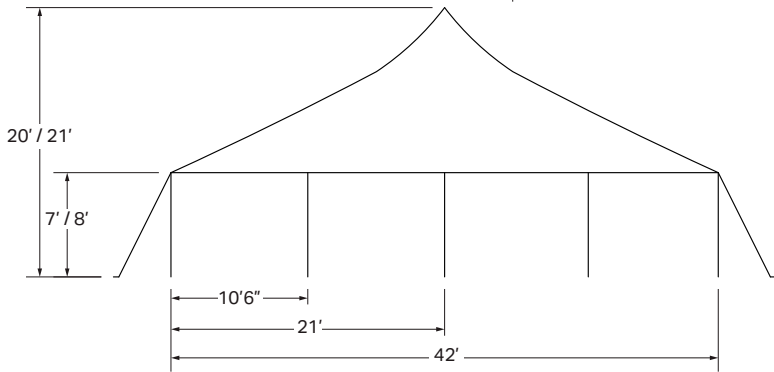
intentionaltents.com • event.tents@rdstents.com • 1.800.235.2607
inTENTional Systems 625 Conklin Rd Binghamton, NY 13903

42' x 42'

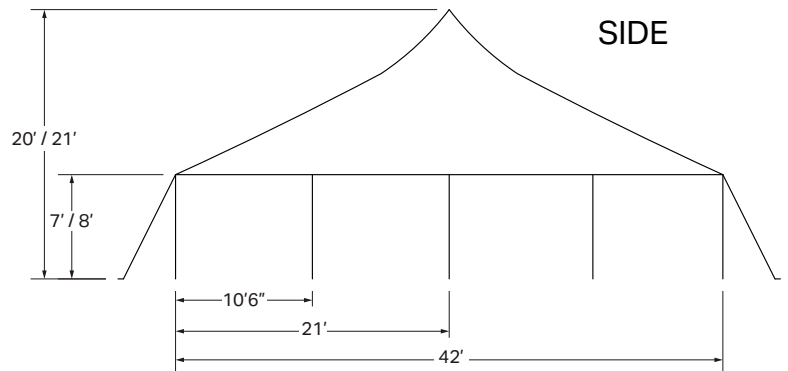
PLAN
w/ STAKES



END

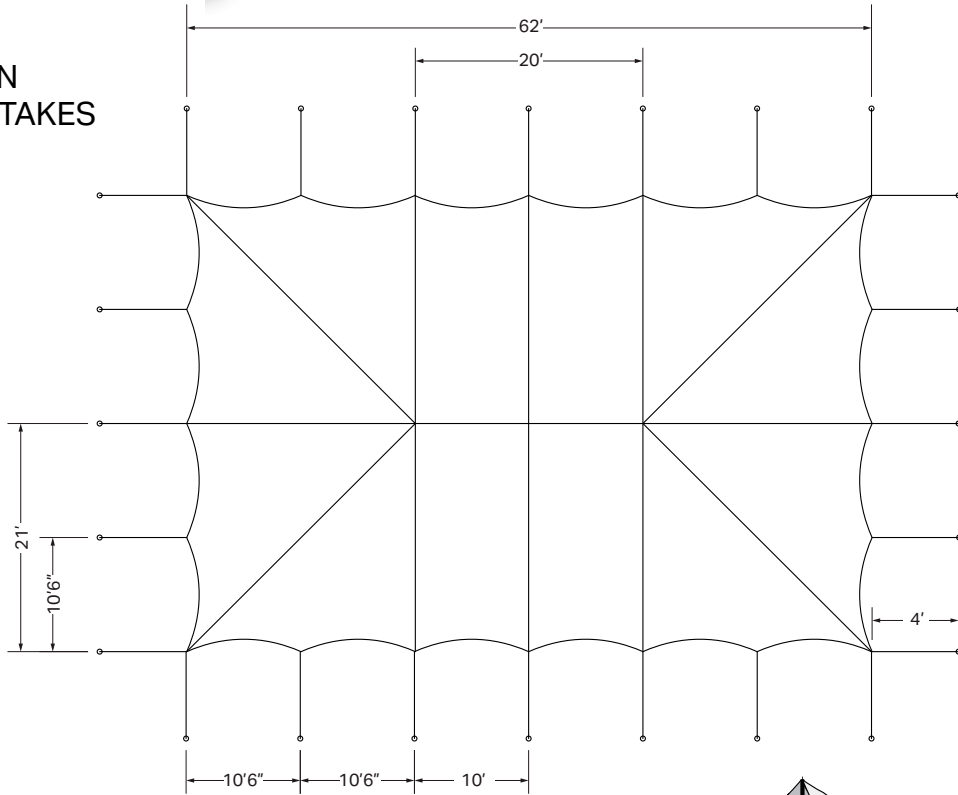


SIDE

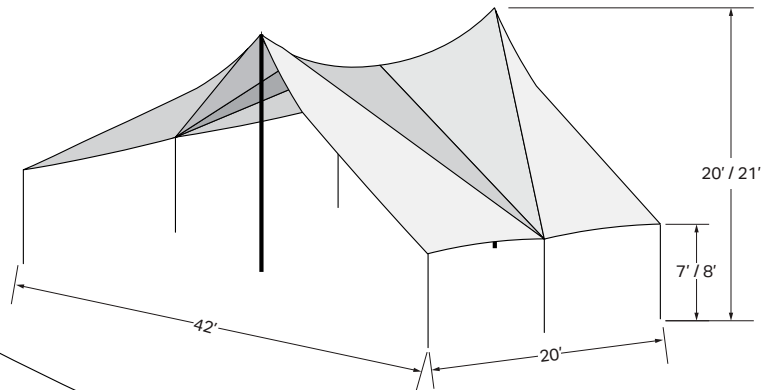
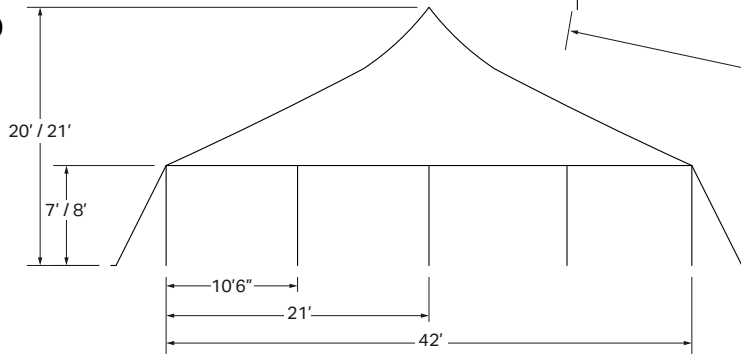


42' x 62'

PLAN
w/ STAKES

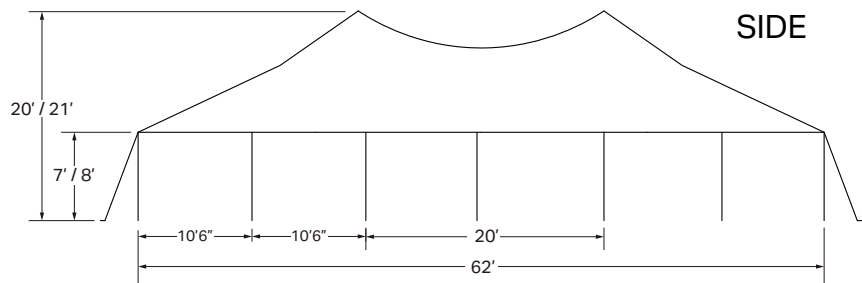


END



20' MID

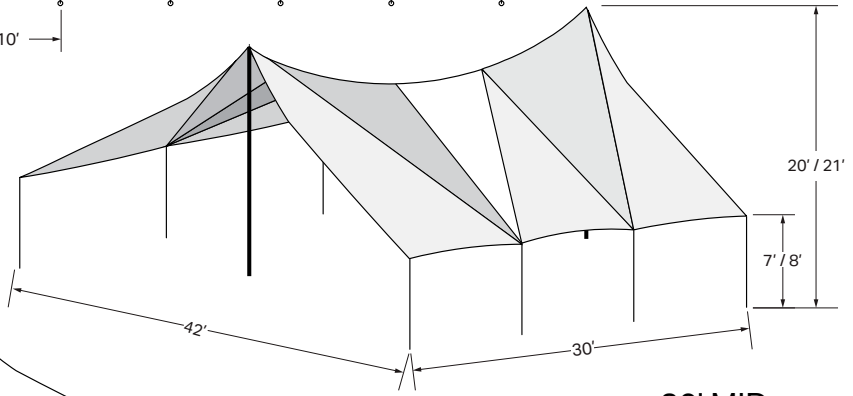
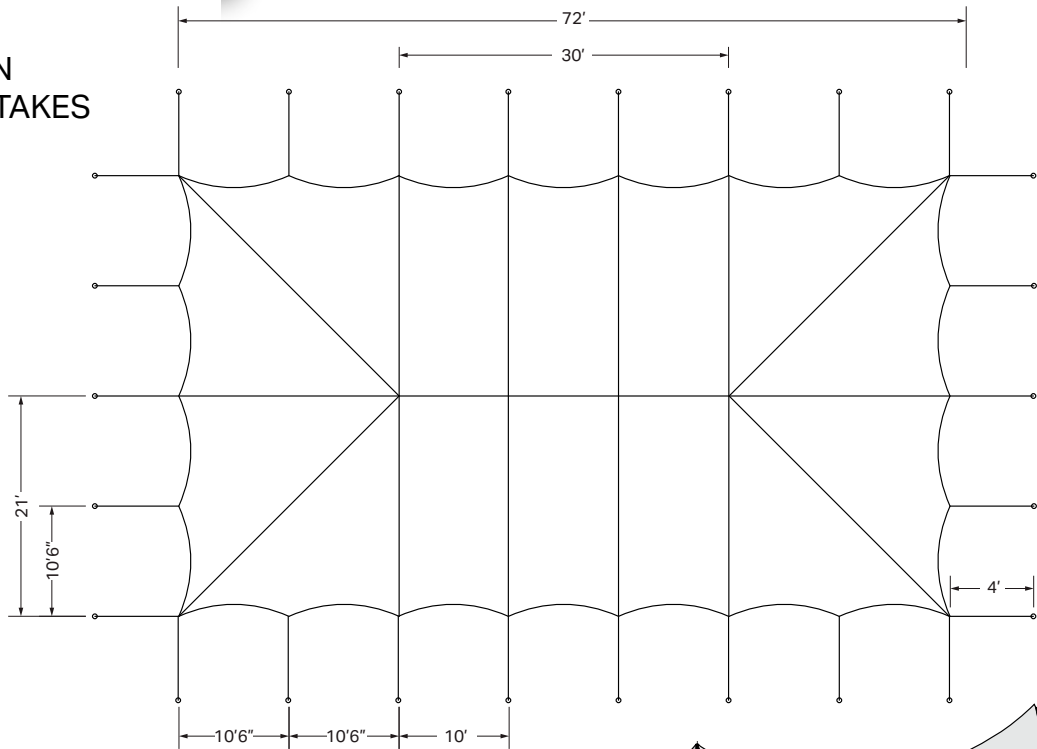
SIDE



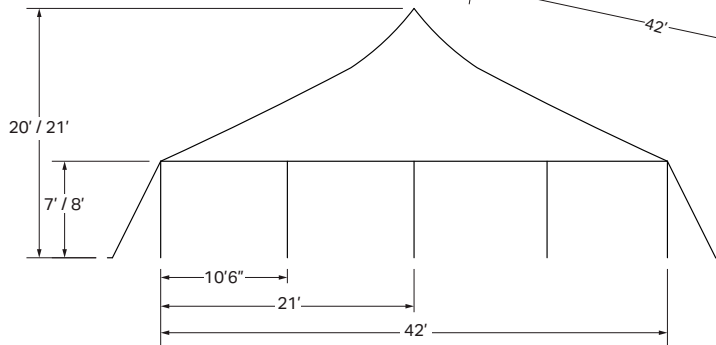
intentionaltents.com • event.tents@rdstents.com • 1.800.235.2607
inTENTional Systems 625 Conklin Rd Binghamton, NY 13903

42' x 72'

PLAN
w/ STAKES

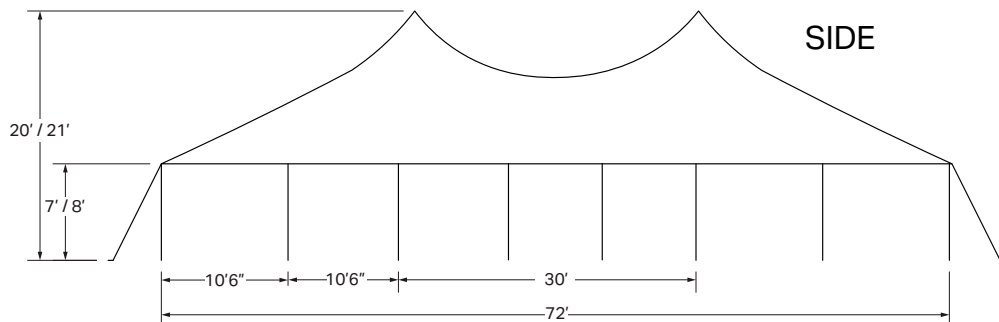


END



30' MID

SIDE



intentionaltents.com • event.tents@rdstents.com • 1.800.235.2607
inTENTional Systems 625 Conklin Rd Binghamton, NY 13903

Appendix A - Squaring a Tent

TOOLS REQUIRED:

(2) Tape Measures

Marking Instrument (ex. spray paint or small stake)

Every tent installation begins with laying out and squaring the tent. When done properly, this can help speed the installation and your tent will look (and perform) beautifully. Follow these simple instructions and use the chart on the following page for a perfect tent....every time!

Step 1

Determine the approximate area where your tent will be installed. Locate the position for one corner pole (or leg) and mark this Point "A". Place the end of *Tape Measure #1* at this point.

Step 2

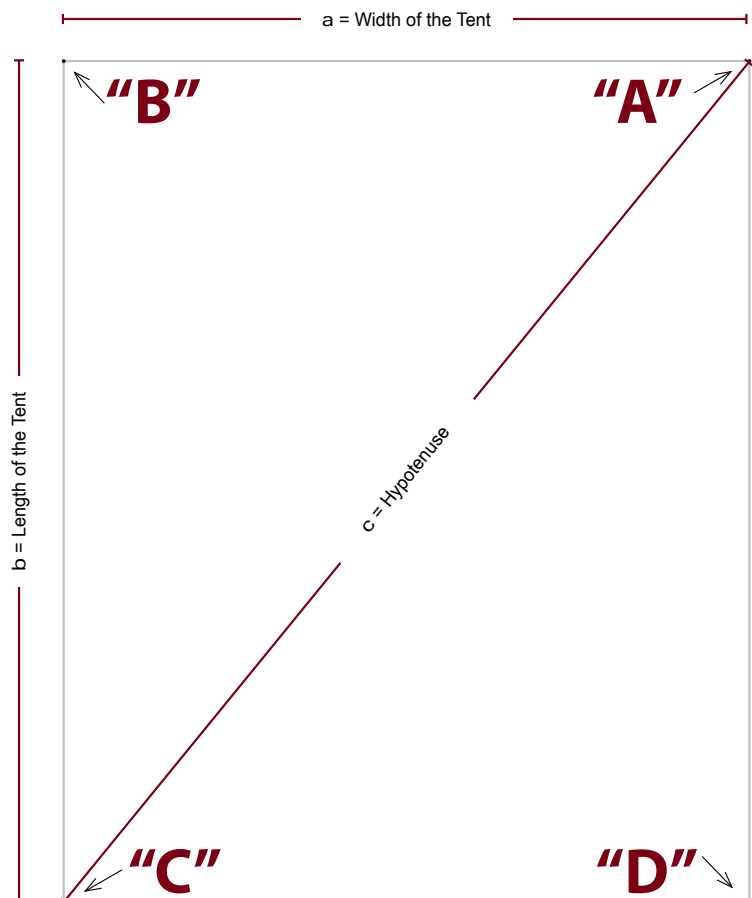
From Point "A", measure out the width of the tent and mark it Point "B". Place the end of *Tape Measure #2* at this point.

Step 3

Next, using the chart on the following page, determine the hypotenuse, based on the width and length of the tent. Run *Tape Measure #1* from Point "A" and *Tape Measure #2* from Point "B" toward Point "C" until the two tapes intersect at the hypotenuse measurement.

Step 4

Double check the measurement between Points "C" and "D" to make sure the width is correct.



Appendix A - Squaring a Tent Continued

PYTHAGOREAN THEOREM $A^2+B^2=C^2$

Hypotenuse Chart

Width of Tent

	32'	42'
32'	45 ft 3 in	52 ft 10 in
42'	52 ft 10 in	59 ft 5 in
47'	56 ft 10 in	63 ft 0 in
52'	61 ft 1 in	66 ft 10 in
57'	65 ft 4 in	70 ft 10 in
62'	69 ft 9 in	74 ft 11 in
67'	74 ft 3 in	79 ft 1 in
72'	78 ft 9 in	83 ft 4 in
77'	83 ft 5 in	87 ft 9 in
82'	88 ft 0 in	92 ft 2 in
87'	92 ft 8 in	96 ft 7 in
92'	97 ft 5 in	101 ft 2 in
97'	102 ft 2 in	105 ft 8 in
102'	106 ft 11 in	110 ft 4 in
107'	111 ft 8 in	114 ft 11 in
112'	116 ft 6 in	119 ft 7 in
117'	121 ft 3 in	124 ft 4 in
122'	126 ft 1 in	129 ft 0 in
127'	131 ft 0 in	133 ft 9 in
132'	135 ft 10 in	138 ft 6 in
137'	140 ft 8 in	143 ft 3 in
142'	145 ft 7 in	148 ft 1 in
147'	150 ft 5 in	152 ft 11 in
152'	155 ft 4 in	157 ft 8 in
157'	160 ft 3 in	162 ft 6 in
162'	165 ft 2 in	167 ft 4 in
167'	170 ft 0 in	172 ft 2 in
172'	174 ft 11 in	177 ft 1 in
177'	179 ft 10 in	181 ft 11 in
182'	184 ft 9 in	186 ft 9 in
187'	189 ft 9 in	191 ft 8 in
192'	194 ft 8 in	196 ft 6 in
197'	199 ft 7 in	201 ft 5 in
202'	204 ft 6 in	206 ft 4 in

Length of Tent



Appendix B - Staking a Tent

NOTE:

Stakes should be driven straight into the ground.

The larger the stake diameter, the greater the holding power.

The deeper the stake, the greater the holding power.

The softer the soil, the lesser holding power and more stakes are required.

Additional holding power may be achieved by use of a **stake bar**.

IMPORTANT INFORMATION ABOUT STAKING:

The number of stakes suggested in each Technical Manual or installation instructions are simply a general guideline. It is the tent installer's responsibility, not the manufacturer, to determine the appropriate number of stakes to meet necessary wind loads on the tent installation site.

Regardless of the number of stakes we show in the Technical Manual, we make no representation or warranty as to whether this number of stakes will meet the local tent code or soil conditions present at each tent installation site.

Intentional Systems does not, nor can it make any suggestions, representation, or warranties about the adequate staking required at each specific installation site.



2470832 Stake Bar 3 Holes

2470833 Stake Bar 5 Holes



**SAFE
TENTING**

For more information on safety and staking, call us at 1.800.235.2607 or visit the below links for the ATA Tent rental division Handbook or Staking Guide:

<https://tent.textiles.org/procedural-handbook/>

<https://tent.textiles.org/staking-guide/>

Vela Parts List



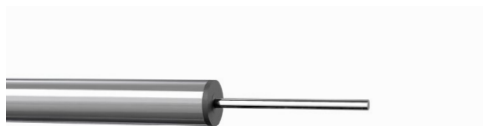
- 2471200 Center Pole 21' 4" SCH40 2PC
- 2471211 Center Pole 20' 4" SCH40 2PC
- 2471201 Center Pole 19' 4" SCH40 2PC
- 2471210 Center Pole 18' 4" SCH40 2PC



5558500 Bottom Center Pole 4' SCH40



- 5558502 TOP Center Pole 21' 4" SCH40
- 5558507 TOP Center Pole 20' 4" SCH40
- 5558503 TOP Center Pole 19' 4" SCH40
- 5558506 TOP Center Pole 18' 4" SCH40



- 2470144 Side Pole 8' 2" SCH40
- 2470174 Side Pole 7' 2" SCH40



5575600 Threaded Flange Pipe 1"



5576115 Pipe 1"x4"



5558505 Quick Release Pin

Vela Parts List



- 2471204 Keder Track Winged Top 144" Brown
- 2471207 Keder Track Winged Top 144" Ivory



- 2471205 Keder Track Winged Bottom 147" Brown
- 2471206 Keder Track Winged Bottom 83.25" Brown
- 2471208 Keder Track Winged Bottom 147" Ivory
- 2471209 Keder Track Winged Bottom 83.25" Ivory